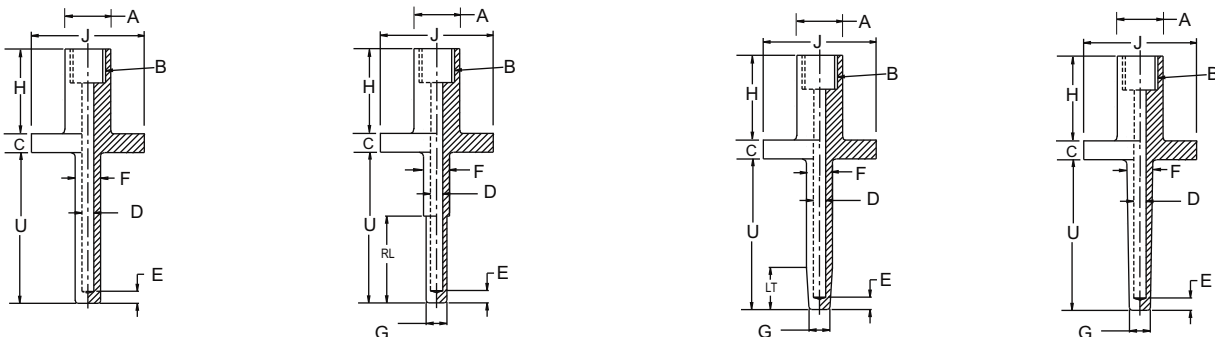



**Special Features**

- Design as per PTC 19.3
- These Thermowells are machined from solid bar stock and mounted between mating flanges for process insertion
- This design is suitable for all type of RTD's, Thermocouples, mechanical as well as Digital Thermometers

**Applications**

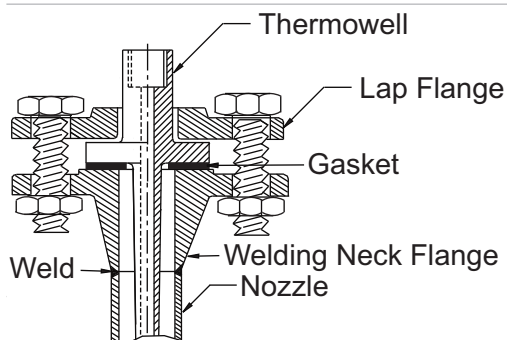
- Chemical plants
- Petrochemical plants
- Engineering plants
- On shore
- Off shore & other similar process industries

**Thermowell Drawings**

**S - Straight**
**R - Straight Reduced Tip**
**P - Partial Taper**
**F - Full Taper**

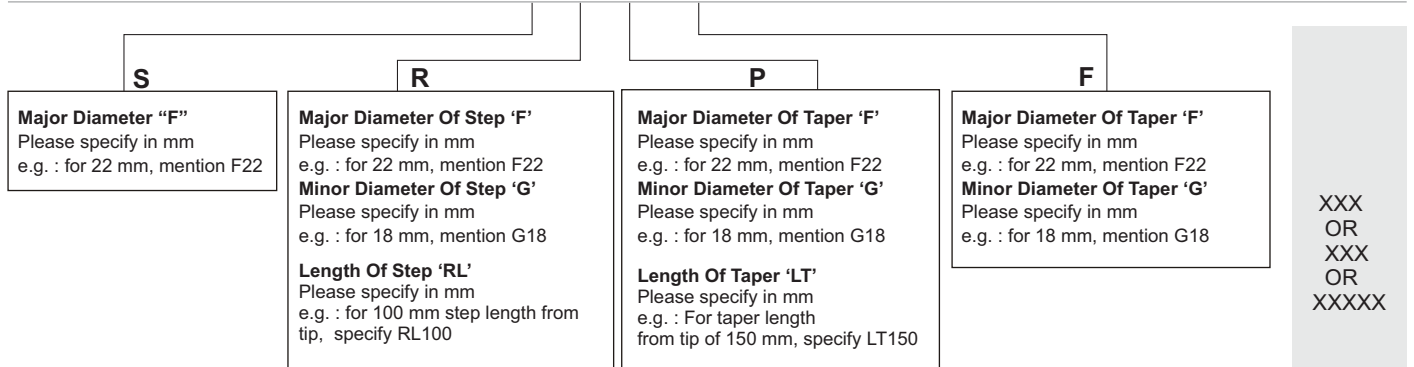
A - Finished Head Size  
 B - Instrument Connection  
 C - Collar  
 D - Bore Diameter

E - Tip Thickness  
 F - Major Diameter  
 G - Minor Diameter  
 H - Extension Length

U - Insertion Length  
 RL - Reduced Tip Length  
 LT - Taper Length  
 J - Collar Diameter

**Thermowell Installation**


How To Order					Example
<b>Basic Model</b>					W6
<b>Type</b>					
S - Straight	R - Straight Reduced Tipa	P - Partial Taper	F - Full Taper		X
<b>Material</b>					
<b>LM</b> AISI 316 SS	<b>EP</b> AISI 410 SS	<b>LT</b> Monel	<b>LV</b> Titanium		XX
<b>LN</b> AISI 316L SS	<b>EQ</b> AISI 347 SS	<b>LU</b> Inconel 600	<b>LX</b> Nickel		
<b>LP</b> AISI 304 SS	<b>LO</b> AISI 316Ti SS	<b>ES</b> Inconel 625	<b>LY</b> HRS 446		
<b>ER</b> AISI 304L SS	<b>EO</b> AISI 310 SS	<b>ET</b> Incolloy 800	<b>LZ</b> Alloy 20		
<b>EN</b> AISI 321 SS	<b>LQ</b> Carbon Steel	<b>EU</b> Incolloy 825	<b>LS</b> Hastelloy C		
Note : Other Materials are available on request.					
<b>Instrument Connection</b>					
<b>4BF</b> ½" BSP (F)	<b>5TF</b> ¾" BSPT (F)	<b>6NF</b> 1" NPT(F)	<b>3MF</b> M18 x 1.5 (F)	<b>6MF</b> M24 x 1.5 (F)	XXX
<b>4NF</b> ½" NPT (F)	<b>5NF</b> ¾" NPT (F)	<b>6BF</b> 1" BSP (F)	<b>4MF</b> M20 x 1.5 (F)	<b>7MF</b> M27 x 2 (F)	
<b>4TF</b> ½" BSPT (F)	<b>5BF</b> ¾" BSP (F)	<b>6TF</b> 1" BSPT (F)	<b>5MF</b> M22 x 1.5 (F)	<b>9MF</b> M33 x 2 (F)	
<b>4FF</b> ½" PF (F)	<b>5PF</b> ¾" G (F)	<b>6PF</b> 1" G (F)			
<b>4PF</b> ½" G (F)					
Note : Other Connections are available on request.					
<b>Collar Diameter</b>					
<b>A</b> Suitable to Raised Face of 1" ANSI Flange (51 mm)					X
<b>B</b> Suitable to Raised Face of 1½" ANSI Flange (73 mm)					
<b>C</b> Suitable to Raised Face of 2" ANSI Flange (92 mm)					
<b>Collar Thickness</b>					
<b>1</b> 3/8" (9.52 mm Thk.)					X
<b>Collar Facing</b>					
<b>F</b> Flat Face					X
<b>Extension / Lagging Length "H" (excluding Collar)</b>					
40 mm (Standard)					
Please specify in mm For e.g. : for length 40 mm, mention H40					XXX
<b>Finished Head Size "A"</b>					
Please Specify in mm					
e.g. : For 28 mm Finished head Size, Specify A28					XXX
<b>Type Of Head</b>					
<b>L</b> Round Headed					X
<b>Bore Diameter "D"</b>					
<b>A</b> 6.6 mm	<b>B</b> 7 mm	<b>C</b> 8.5 mm	<b>D</b> 9 mm		
<b>E</b> 10.5 mm	<b>F</b> 11 mm	<b>G</b> 13 mm	<b>H</b> 13.5 mm		X
Note : Refer Table 1.3 of Thermowell Design Procedure for dimensions as per PTC 19.3					

**How To Order**


Note : Refer Table 1.3 of Thermowell Design Procedure for dimensions as per PTC 19.3

**Tip Thickness "E"**

Standard Tip Thickness is 5 mm. e.g. : Specify **E5** for 5 mm Tip Thickness. For others, please specify in mm.

**Insertion Length "U"**

Please specify in mm e.g. : for 250 mm, mention **U250**

Note : Refer Table 1.4 of Thermowell Design Procedure for dimensions as per PTC 19.3

**Options**

<b>GG</b> Plug and chain in SS	<b>CX</b> Marking by Engraving
<b>FW</b> Electro polishing	<b>CW</b> Marking by Lazer

**Tests & Certification**

<b>C1</b> Radiography for Bore Concentricity	<b>C8</b> Certification for Hydrogen Service
<b>C3</b> Mechanical Test	<b>C9</b> Certification for Oxygen Service
<b>C4</b> Ultrasonic Test	<b>T1</b> Chemical Composition Test
<b>C5</b> PMI Test	<b>T2</b> 3.1B Material Conformity Certificate
<b>C6</b> IGC Test	<b>TF</b> Conformity as per NACE standard
<b>C7</b> Wake Frequency Calculations as per PTC 19.3*	<b>H1</b> Hydro Test

\*Please Specify Fluid, Max. Pressure, Temperature & Flow velocity for wake frequency calculations as per PTC 19.3

**Ordering Example :**

**W6 . X . XX . XXX . X . X . X . XXX . XXX . X . X . XXX OR XXX OR XXXXX . XX . XXXX . XX**

**Flange Table With Connection Codes**
**As Per EN 1092-1**

DN	PN	CODE
25	6	A26
	10	A27
	16	A28
	25	A29
	40	A30
	64	A31
	100	A32
	160	A33
	250	A34
400	A35	
32	6	A36
	10	A37
	16	A38
	25	A39
	40	A40
40	6	A41
	10	A42
	16	A43
	25	A44
	40	A45
	64	A46
	100	A47
	160	A48
	250	A49
400	A50	
50	6	A51
	10	A52
	16	A53
	25	A54
	40	A55
	64	A56
	100	A57
	160	A58
	250	A59
400	A60	

**AS PER JIS - B 2239**

NOMINAL SIZE	RATING /CLASS	CODE
25A	5K	B66
	10K	B67
	40K	B68
32A	5K	B69
	10K	B70
	40K	B71
40A	5K	B72
	10K	B73
	40K	B74

NOMINAL SIZE	RATING /CLASS	CODE
50A	5K	B75
	10K	B76
	40K	B77
65A	5K	B78
	10K	B79
	40K	B80
80A	5K	B81
	10K	B82
	40K	B83

**AS PER ANSI B 16.5**

NOMINAL SIZE	RATING /CLASS	CODE
1"	150	B21
	300	B22
	600	B23
	900	B24
	1500	B25
1 1/4"	2500	B26
	150	B27
	300	B28
	600	B29
	900	B30
1 1/2"	1500	B31
	2500	B32

NOMINAL SIZE	RATING /CLASS	CODE
1 1/2"	150	B33
	300	B34
	600	B35
	900	B36
	1500	B37
	2500	B38
2"	150	B39
	300	B40
	600	B41
	900	B42
	1500	B43
	2500	B44

NOMINAL SIZE	RATING /CLASS	CODE
2 1/2"	150	B45
	300	B46
	600	B47
	900	B48
	1500	B49
	2500	B50
3"	150	B51
	300	B52
	600	B53
	900	B54
	1500	B55
	2500	B56

**AS PER BS - 10**

NOMINAL SIZE	TABLE	CODE
1"	D	B96
	E	B97
	F	B98
	H	B99
	J	C01
	K	C02
1 1/4"	D	C03
	E	C04
	F	C05
	H	C06
	J	C07
	K	C08

NOMINAL SIZE	TABLE	CODE
1 1/2"	D	C09
	E	C10
	F	C11
	H	C12
	J	C13
	K	C14
2"	D	C15
	E	C16
	F	C17
	H	C18
	J	C19
	K	C20

NOMINAL SIZE	TABLE	CODE
2 1/2"	D	C21
	E	C22
	F	C23
	H	C24
	J	C25
	K	C26
3"	D	C27
	E	C28
	F	C29
	H	C30
	J	C31
	K	C32

**Note :** Specifications and dimensions given in this product catalogue represents the state of engineering at the time of printing .  
Modifications may take place and materials specified may be replaced by others without prior notice.